

D

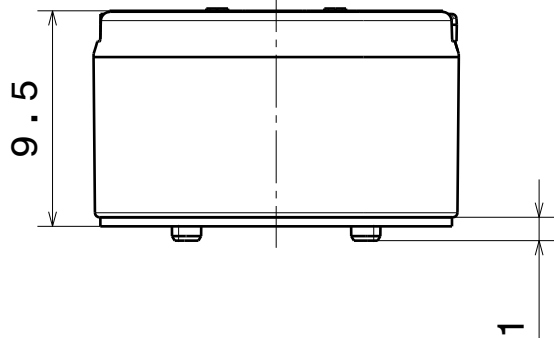
C

B

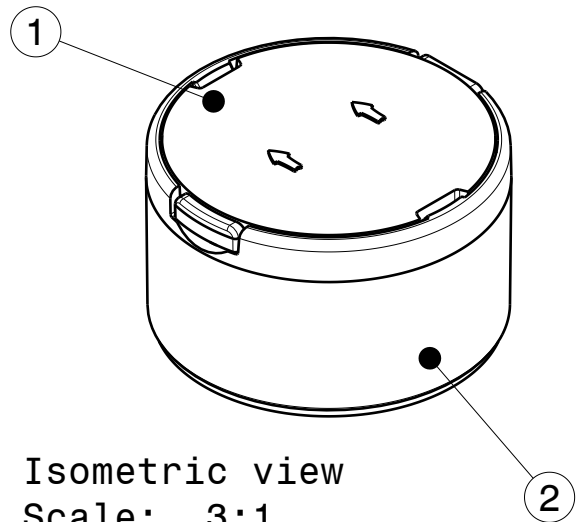
A

4

4



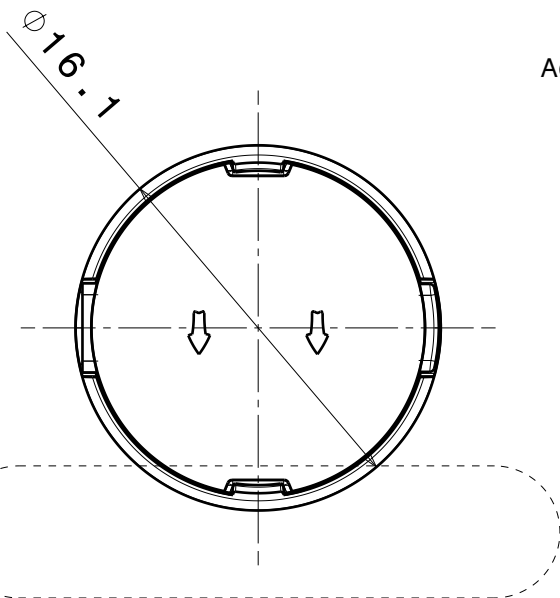
Front view



Isometric view
Scale: 3:1

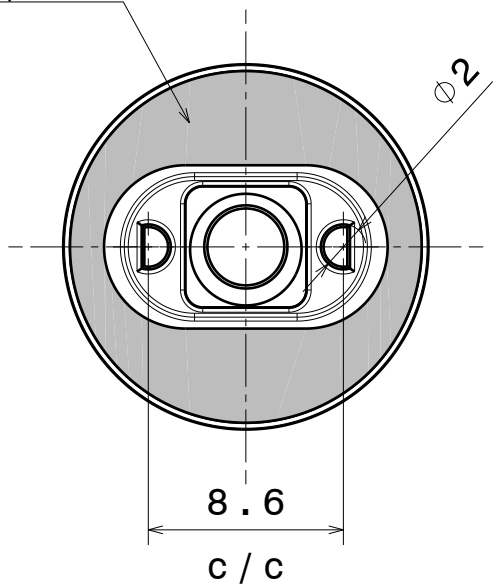
3

3



Top view

Acrylic foam tape 0.4mm



Bottom view

2

2

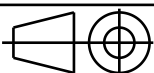
INDEX	PART NO	DESCRIPTION	MATERIAL	COLOUR
1	C15060	TINA2-0-WAS	PMMA	
2	C12372	TINA2-HLD-BLK	PC	black

Tolerances if not otherwise shown
According to DIN ISO 2768-1
Linear measures:
Up to 30mm class M, otherwise class C.
According to DIN ISO 2768-2
Form and position: class L



Ledil Oy
Salorankatu 10
FIN 24240 SALO
Finland

THIRD ANGLE PROJECTION:



DRAWING TITLE

CA15365_TINA2-0-WAS

This drawing is the property
of LEDiL Oy. It may not be
reproduced, copied or
communicated without a written
agreement with LEDiL Oy.

SIZE PART NUMBER

A4

CA15365

SCALE 3:1 WEIGHT 1,7 g SHEET 1/1

D

A

1

1